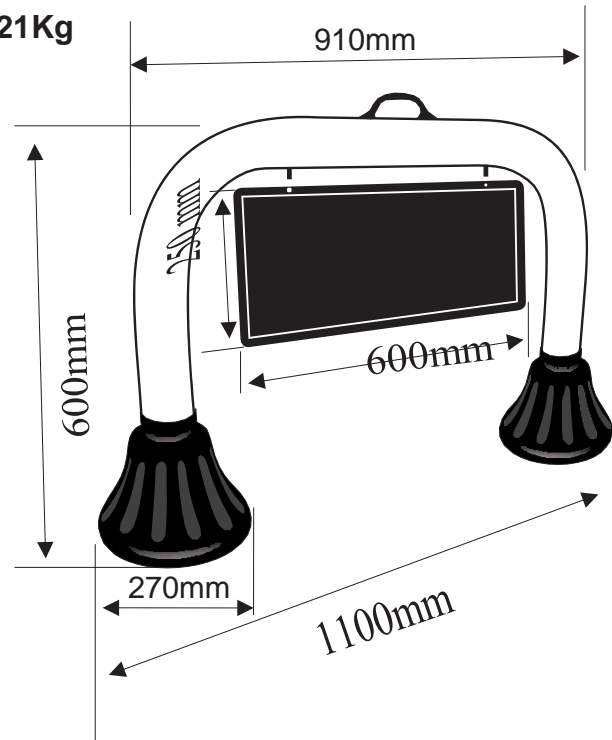




Weight 21Kg



Description

Easel of the MAX line pedestal family, assembly made of high durability plastic material (base - PE, body - PVC and polystyrene plate 3 mm thick with custom adhesive) with 2 bases filled in concrete (approximate assembly weight: 23 kg), informative plate and handles for transportation.

Application

Signage, flow orientation, isolation and demarcation of areas with the most diverse information in indoor and outdoor environments, often used in passage isolation because the handle and its good positioning allow easy movement

Differentials

Bases manufactured in one single piece, without a cover at the bottom, which does not allow the leakage of concrete residues which fill the base, besides not promoting scratches to the floor with rivets and screws in the base, as occurred in most of the options available in the market. Weather resistant, steel, plate customization according to customer requirements (colors and printing) and high strength handle (galvanized steel) for transportation.

